

Color Navigator

ESG-129 GPS Plotter

ESG-129



New Color LCD (TFT) Display

FEATURES

- 10.4" COLOR LCD (TFT) GPS PLOTTER
- 18 CHANNELS GPS RECEIVER TYPE
- GPS-PLOTTER WITH ELECTRONIC CHARTS
- HIGH ACCURACY - HIGH TECHNOLOGY
- OTHERS VECTOR CHART AVAILABLE (OPTION)
- FULLY BACK-UP SPARE PARTS
- SUPPLIED WITH DATA CABLE AND MICRO SD CARD



SUZUKI-200 GPS ANTENNA

10.4" Color TFT Chart Plotter

ESG-129 SPECIFICATIONS

• GPS RECEIVER (ESG-129 • ES-1029)

1. Frequency : 1575.42 MHz (C/A Code)
2. Receiver type : 18 Channels Parallel
3. Sensitivity : Below -130dBm
4. Accuracy Horizontal: Approx. 10m (GPS: 2drms, SA=OFF, PDOP ≤ 3)
Approx. 8m (DGPS: 2drms, SA=OFF, PDOP ≤ 3)

• PLOTTER (ESG-129)

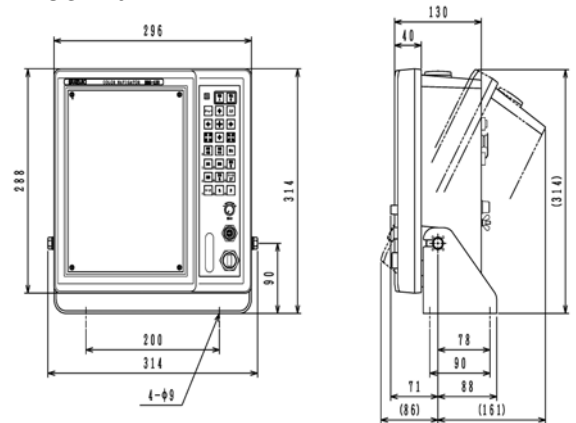
1. Projection : Mercator
2. Coverage : Below 85° Latitude
3. Scale ESG-129: 1/700 ~ 1/8,600,000 Display width 0.06~737 nm at 35° Latitude
4. Wake Display :
 - ① Memory Interval: 1 seconds to 60 minutes by time, 0.01~9.99nm by distance
 - ② Memory Capacity: total point 16,000
 - ③ Colors: blue-red-magenta-green-cyan-yellow-white
 - ④ Wake Color set: by water temperature/by water depth
 - ⑤ Others: Wake Memory/Display page selection (plural pages), Wake Shift Function
5. Mark Display :
 - ① Type: Waypoint-Mark-Chart (3 types)
 - ② Shape: □ • ◇ × + • △ ▣ ◆ ♦ • ++ (8 types)
3 sizes (small, medium or large)
 - ③ Number: Waypoint with a number
 - ④ Comment: Waypoint with a comment (Up to 8 characters)
 - ⑤ Position Indication: Own Ship, Cursor, Lat/Lon, Loran C
 - ⑥ Routes: 50 routes (20 waypoints per route)
 - ⑦ Memory Capacity: Total points max. 30,000 points
 - ⑧ Color: Blue-Red-Magenta-Green-Cyan-Yellow-White
6. Data Display :
 - ① Own Ship's position (Lat/Long or Time Difference)
 - ② Lat/Long at Cursor Crossing or Waypoint
 - ③ Distance, Bearing & Time to Cursor Crossing or Waypoint
 - ④ Latitude and Longitude lines
 - ⑤ Coast time (displaying land in filled color), Place name
 - ⑥ Current time or lunar calendar
 - ⑦ Display centre width or scale
 - ⑧ Wake color mark shape / color
 - ⑨ Ship speed, Bearing, Water temperature
7. Alarm Function:
 - ① Arrival
 - ② Anchor Watch
 - ③ Tracker
 - ④ Border
8. Other Function :
 - ① Suzuki Chart
 - ② Cross Cursor size (large-small) • Circle Cursor (2 types) • Parallel Cursor
 - ③ Route vector (Short-Long-Ship Speed)
 - ④ Differential receiver
 - ⑤ SD card
 - ⑥ Course up, Bearing (East-West-South-North) up, Waypoint up selection
 - ⑦ Wake color (7 colors) set by water temperature or water depth

• OTHERS

1. INPUT DATA : NMEA-0183 format
2. OUTPUT DATA: NMEA-0183 format
3. SCREEN : 10.4 inch high resolution color LCD screen. 640 x 480 pixels
Color presentation 8 colors/ 16 colors
4. POWER REQUIREMENT: DC10.5~30V
5. POWER CONSUMPTION: 25w (ESG-129)

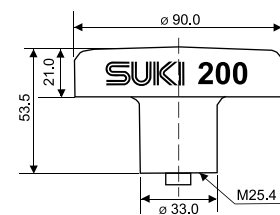
: optional equipment is required

ESG-129



unit: mm Weight: 5kg (included bracket)

SUKI-200 GPS ANTENNA



unit: mm Weight: 145 g

DATA CABLE



Micro SD Card 32 GB Class 10



* Please note, all specifications are subject to change without notice or obligation.

For safe using, be sure to read the "Operation Manual" before using this model.

If you would like to know more about Suzuki Fish Finder products, please contact

SUZUKI FISH FINDER CO., LTD.

Head Office 12-1, Mamizuka-cho, Toyohashi-city, Aichi-pref,
441-8007 Japan
Phone (81)532-32-7511 Fax(81)532-32-7500
e-mail address: sales@suzukiff.co.jp
URL: http://www.suzukiff.co.jp/

Colours used in this catalog are subject to difference from actual colours.

