

TOTAL NAVIGATOR
KTN-70 Series

KODEN

Hybrid & High Performance
All in One for Everyone

NEW



GPS·Plotter·AIS·Fish Finder·Echo Sounder
7-inch Wide Color LCD Display
High Accuracy Build in Chart
RADAR ATA Target Overlay
AIS Information Overlay
Easy Waypoints Transfer to RADAR

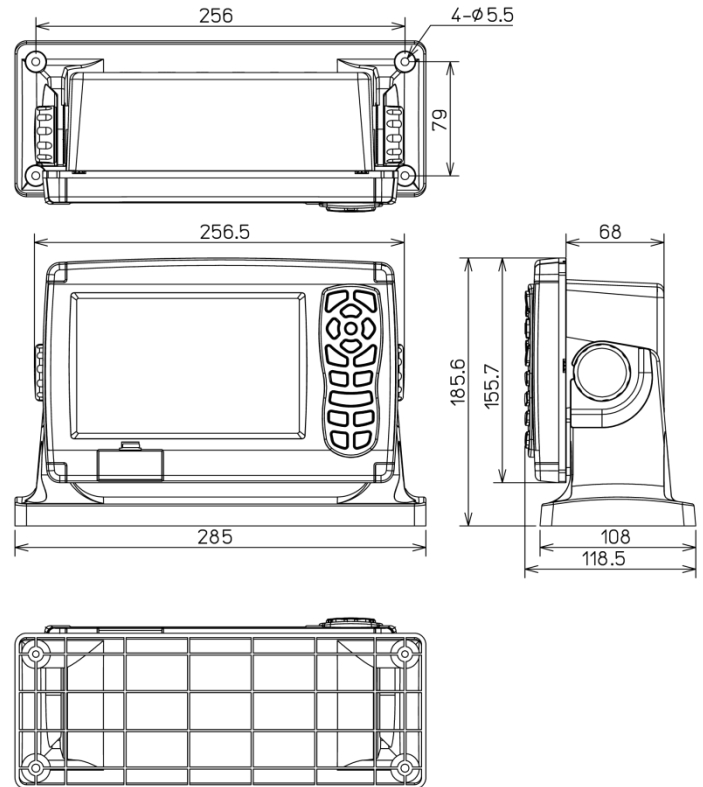
SPECIFICATIONS

Display Size and Type	7-inch Color LCD
Display Resolution	800 × 480 (WVGA)
Presentation Mode	Plotter, Sounder (Hi/Lo/Dual Frequency), Plotter/Sounder (Vertical/Horizontal/ 3:1 Vertical), Compass, NAV
Frequency	200 / 50 kHz
TX Power	600 W
Depth Range	0 to 600 m
Zoom Range	2.5 m to 200 m
Range Unit	m / fm / lfm / ft
Presentation Colors	16 colors / 8 colors / Monochrome
Track Point	400,000(1Block:Max20,000)
Mark Point/WPT	100,000
Input Data Format & Sentence	NMEA0183 Ver.1.5/2.0 HDG, HDT, GGA, GLL, GVS, MTW, MWD, MWV, RMC, TLL, TTM, VTG, ZDA, DPT
Output Data Format & Sentence	NMEA0183 Ver.1.5/2.0 RMC, GGA, VTG, GLL, ZDA, XTE, APB, BOD, BWC, HDT, DPT, RMA, RMB, RTE, MTW, MWV, TLL
NMEA Port	2 Input/Output
Power Supply	10.8 to 31.2 VDC
Power Consumption	25 W or Less (24 VDC)
Operating Temp.	-15°C to +55°C
Water Protection	IPX4

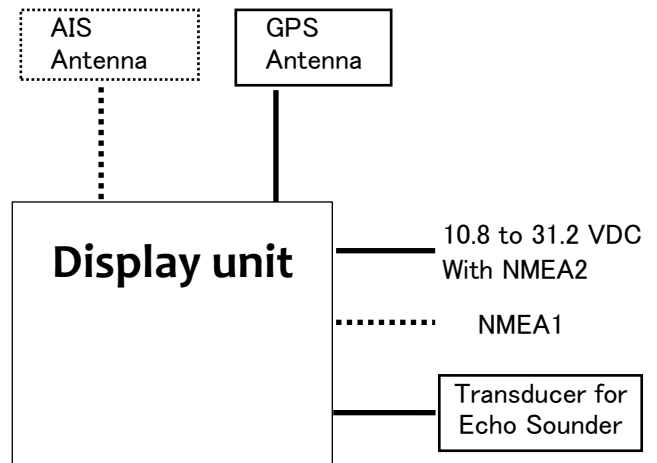
COMPONENTS

Standard Components	Display Unit	1
	Transducer Unit	1
	GPS Antenna (with Antenna Holder & Band)	1Set
	DC Power Cable (2m)	1
	Installation Material (Tapping Screw for Installation)	1Set
	Operation Manual (with Quick Reference)	1
Options	RADAR Connecting Cable Water Temp./Speed Sensor Water Temp./Speed Sensor Cable	
Customer Supply	AIS Antenna and Cable	1

DIMENSIONS



CONNECTIONS



PRODUCT LINEUP

- KTN-70A : Chart Plotter and AIS Receiver
- KTN-70AF : Chart Plotter and AIS Receiver with Fish Finder
- KTN-70AE : Chart Plotter and AIS Receiver with Echo Sounder